

WARNING: This product can expose you to chemicals including carbon monoxide, which is a combustion byproduct known to the State of California to cause birth defects or other reproductive harm. For more information go to www.P65Warnings.ca.gov.

WARNING: Failure to follow all steps of the installation instructions may result in property damage or bodily injury. Rockwood Retaining Walls, Inc. is not liable for any property damage or bodily injury caused by failure to follow the installation instructions or improper use of the product.

Compact Fire Ring Kit Contents

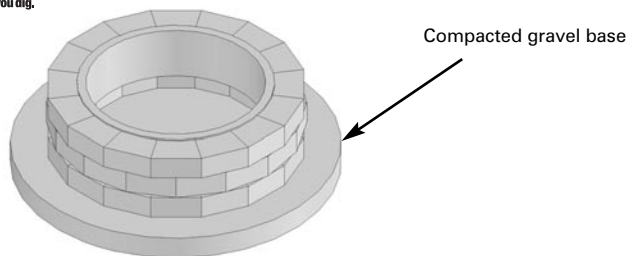
Item	Description	Quantity
Fire Ring Block	8/6 W x 5.5 D x 4" H	48
Steel Ring	Protective Insert	1
Adhesive	29 oz. Tubes	1

Please note: Use 16 fire ring blocks per course.

Getting Started

Zoning and Permits: Before you plan your project, learn about the necessary zoning requirements and rules for excavating and building restrictions in your area. No matter how small your project, be sure you obtain the necessary permits before you start construction.

Know What's Below: Whether you are planning to do it yourself or hire a professional, smart digging means calling 811 before each job. Homeowners often make risky assumptions about whether or not they should get their utility lines marked, but every digging job requires a call – even small projects like planting trees and shrubs.



Base Preparation: Fire rings can be built on an existing concrete slab or paver base without additional preparation.

To build in the ground, follow these steps:

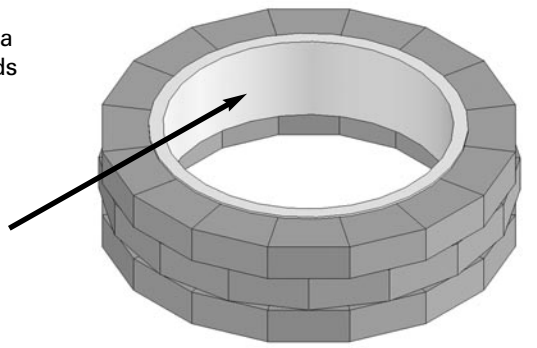
- 1) To build your fire ring on the ground, mark a 48" dia. circle and remove all earthen material to a depth of approximately 3". Be sure excavated circle is level.
- 2) Add 1.5" to 2" inches of compactible gravel, level it evenly. Compact the gravel with a hand tamper until it is firmly and uniformly compacted and level.
- 3) Use a thin layer of sand if needed to adjust for level.

Step 4

Drop in steel ring and center. Use a rubber mallet to tap blocks towards center for proper alignment.



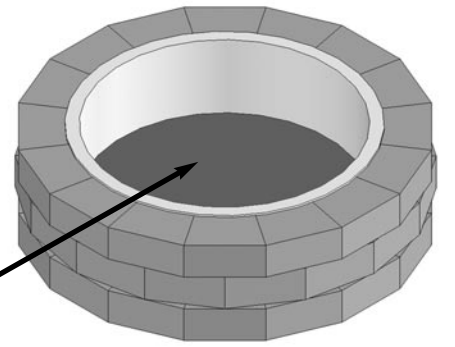
Do NOT use glue on metal ring.



Final Step

IMPORTANT: To protect the concrete block from extreme heat, fill interior of Fire Ring with enough gravel/sand to bury a minimum of 1" of the steel inser

Gravel/sand fill.



IMPORTANT: Allow 72 hrs. for adhesive to set before use.



WARNING: Never expose concrete directly to fire. Extreme temperatures may cause concrete to explode, resulting in property damage or bodily injury. Add enough sand and gravel fill to bury block and 1" of the steel ring insert.

Note: All warranty claims must be made online at: www.outdoorlivingkits.com/warranty.htm

Claims submissions must include the following information:

1. Claimant's name, address, and phone number and the installation address (if different).
2. A description of the product, purchase price, date and location of purchase, and copies of invoices, if available.
3. A description of the defect(s), photos are required.
4. A brief summary of attempts made to address the concerns.

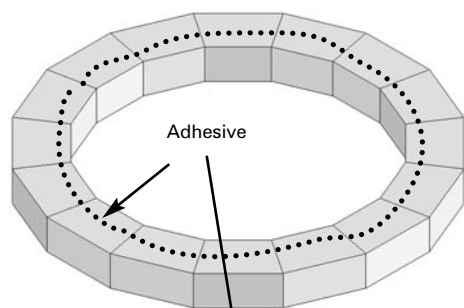
© 2007 - 2017 Rockwood Retaining Walls, Inc. All Rights Reserved. Please see copyright notice on page 2.

Step 1

Be sure your properly prepared base is level. Begin building by laying your base course as shown. Using a stiff brush, remove all debris and dust from each block surface to be glued. Butt blocks tightly together. Use only 16 blocks per course.

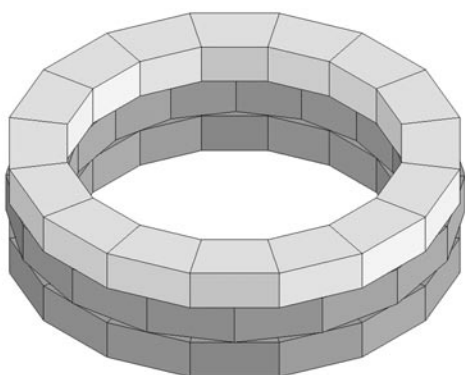
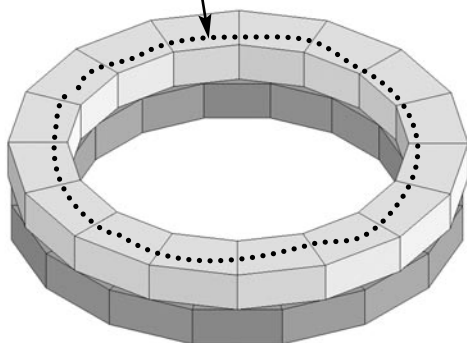
IMPORTANT: Lay adhesive bead away from outside perimeter to prevent adhesive from squeezing out between courses.

Use adhesive on each course. Brush excessive dust from blocks to be glued.



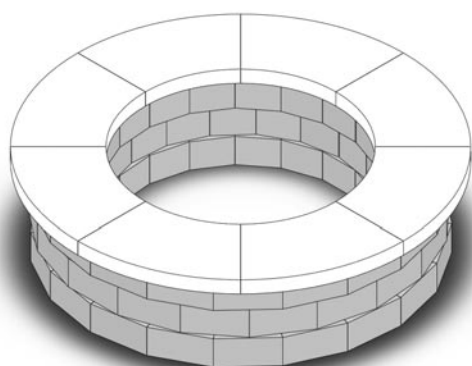
Steps 2 - 3

Continue to build each course as shown. Stagger second course, use adhesive on each block.



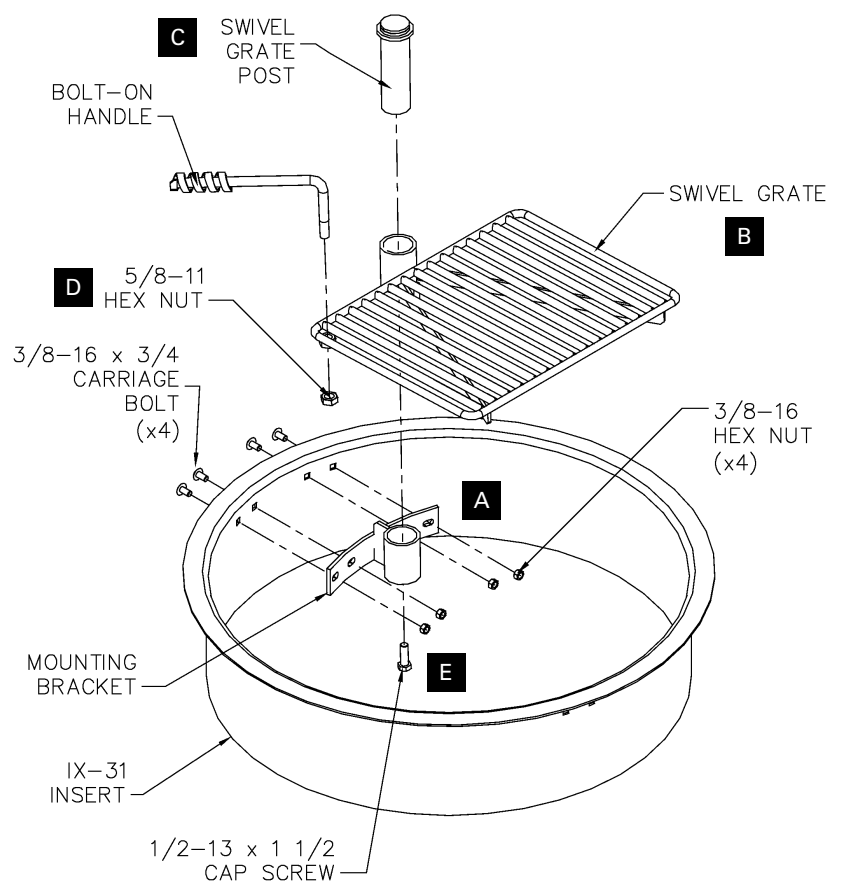
Install Optional Cap:

Rough-fit cap blocks without the steel ring insert. Place the steel insert in position and adjust cap blocks for proper fit. Remove insert and lift each cap block to secure with adhesive. Replace steel ring insert. **Proceed to Final Step.**



Optional Cooking Grate Assembly

Connect bracket (A) to ring as shown. Position grate (B) above bracket and secure with post (C). Screw on handle and secure with nut (D). For anti-theft feature, secure pin with bolt (E).



ATTENTION: The cooking grate should be seasoned before cooking food directly on the surface.

Expose the grate to an open flame until the enamel finish is completely removed. If you wish to cook on the grate before it is seasoned, place aluminum foil between the grate and your food item. Pans, skillet or meat baskets can also be used to keep the food from touching the grate.

When the grate is completely seasoned it should be heated and thoroughly cleaned with a wire brush before placing food items on it.

Brush vegetable oil on the grate to keep meat from sticking. After each use, brush vegetable oil on the grate to keep grate seasoned. Do not use aerosol spray oils around an open flame.